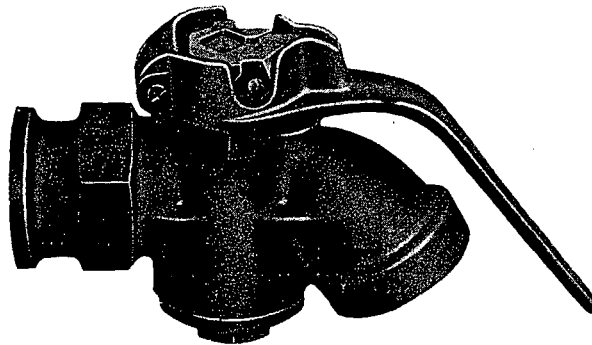


COPYRIGHT, 1938, BY THE

Westinghouse Air Brake Company

Pittsburgh, Pa., U. S. A.



Cocks

Part Catalog No. 3216-4

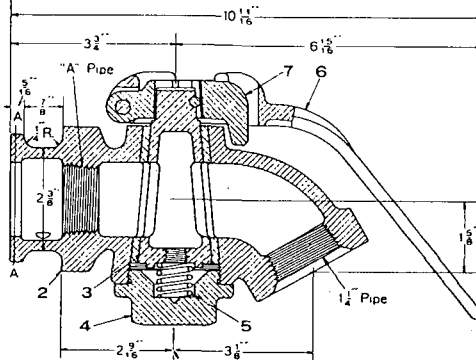
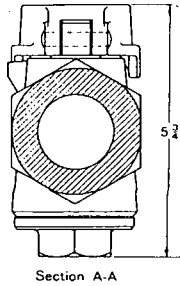
January, 1938

(SUPERSEDING ISSUE OF APRIL, 1931)

ANGLE COCK WITH SUPPORTING FLANGE AND IMPROVED SELF-LOCKING HANDLE

The angle cock with supporting flange and improved (Split Type) self-locking handle supersedes the former standard, and is standard for freight equipments.

Complete Pc. No.	A
501382	1 1/4"
502977	1"



Piece No. 501382 1 1/4" x 1 1/4" Self-Locking Angle Cock, complete
 Piece No. 502977 1" x 1 1/4" Self-Locking Angle Cock, complete

Pc. No.	Ref. No.	Description
84312	2	Body, bushed (1 1/4" x 1 1/4")
86808	2	Body, bushed (1" x 1 1/4")
501326	3	Key
2097	4	Cap
*2098	5	Key Spring
501381		Handle, complete (includes 6 and 7)
501328	6	Handle, only
501327	7	Socket

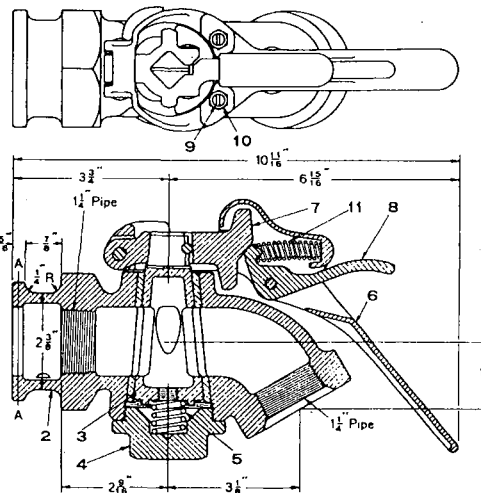
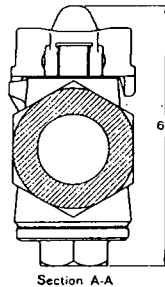
Net Weight 11 lbs.

1 1/4" DOUBLE LOCKING ANGLE COCK

The 1 1/4" Double Locking Angle Cock is standard for passenger and locomotive equipments.

Piece No. 502526 1 1/4" Double Locking Angle Cock, complete

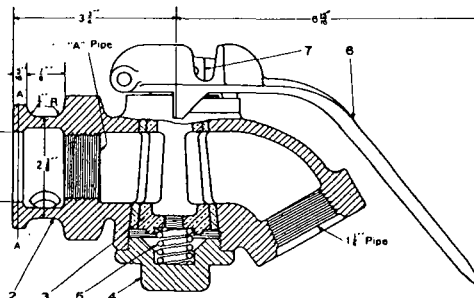
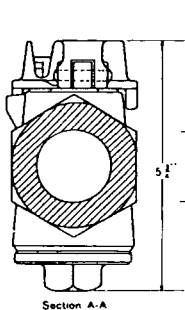
Pc. No.	Ref. No.	Description
84312	2	Body, bushed
501326	3	Key
2097	4	Cap
*2098	5	Key Spring
502527		Handle, complete (includes 6, 7, 8, 11 two of 9 and 10)
502530	6	Handle
502533	7	Handle Socket
502534	8	Latch
502531	9	Adjusting Screw (2 Req'd)
502532	10	Adjusting Nut (2 Req'd)
*502535	11	Latch Spring



Net Weight 11 lbs.

ANGLE COCK WITH SUPPORTING FLANGE

Self-locking angle cock with supporting flange and with former standard handle (Non-Split Type).



Piece No. 84311 1 1/4" x 1 1/4" Self-Locking Angle Cock, complete
 Piece No. 86809 1" x 1 1/4" Self-Locking Angle Cock, complete

Pc. No.	Ref. No.	Description
84312	2	Body, bushed (1 1/4" x 1 1/4")
86808	2	Body, bushed (1" x 1 1/4")
2096	3	Key
2097	4	Cap
*2098	5	Key Spring
92775		Handle, complete, (Includes 6 and 7)
92745	6	Handle, only
20126	7	Handle Socket

Net Weight 11 lbs.

*NOTE—For Spring Identification Table, see page 13.

Pc. No.	A	B
84311	1 1/4"	1.705"
86809	1"	1.360"

Prices will be quoted upon application

Orders should give PIECE NUMBER and NAME of part wanted

ANGLE COCKS—Continued

ANGLE COCK WITHOUT SUPPORTING FLANGE

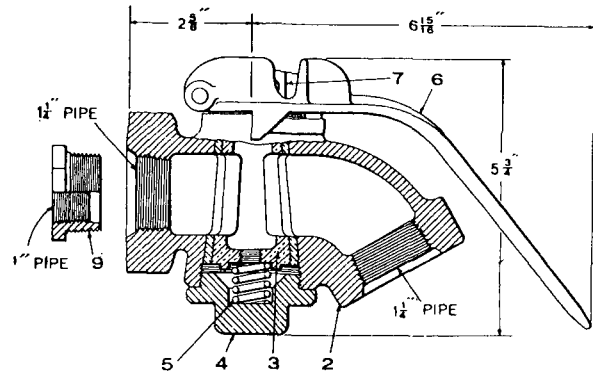
The self-locking angle cock without supporting flange and with former standard handle (non-split type) is listed for repair parts only.

Piece No. 22413 1¼"x1¼" Self-Locking Angle Cock, complete

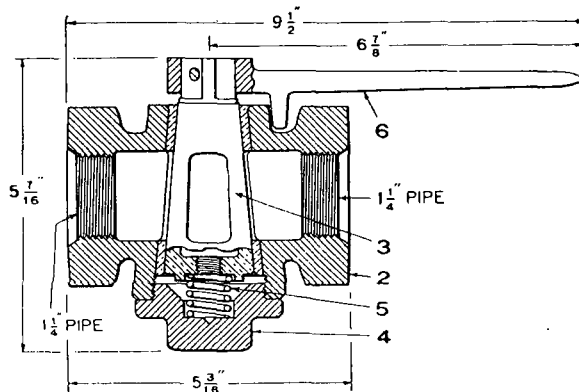
Piece No. 22412 1"x1¼" Self-Locking Angle Cock, complete, with Bushing (includes 9)

Pc. No.	Ref. No.	Description
2176	2	Body, bushed
2096	3	Key
2097	4	Cap
*2098	5	Spring
92775		Handle, complete, (Includes 6 and 7)
92745	6	Handle, only
20126	7	Handle Socket
2178	9	1¼"x1" Bushing

Net Weight 10½ lbs.



CUT-OUT COCKS



Piece No. 2092 1¼" Cut-out Cock, complete

Pc. No.	Ref. No.	Description
2093	2	Body, bushed
2096	3	Key
2097	4	Cap
*2098	5	Spring
2100	6	Handle

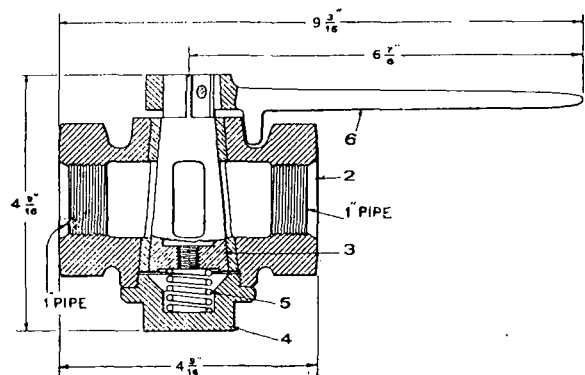
Net Weight 8½ lbs.

Piece No. 2135 1" Cut-out Cock, complete

Piece No. 43004 1" Cut-out Cock, with 1/8" Vent, complete

Pc. No.	Ref. No.	Description
2136	2	Body, bushed
57111	2	Body, bushed (with 1/8" Vent)
2139	3	Key
43003	3	Key (with 1/8" Vent)
2140	4	Cap
*2098	5	Spring
2103	6	Handle

Net Weight 5½ lbs.



*NOTE—For Spring Identification Table, see page 13.

NOTE A—Cut-out Cocks of both 1" and 1¼" sizes can be furnished with Self-Locking Handles, if so desired. These Self-Locking Handles are similar to our standard Self-Locking Angle Cock Handles, except that the Cut-out Cock Handle is straight instead of curved. The Self-Locking Handle can also be applied to Cut-out Cocks now in service. When ordering these Handles, orders should specify as follows:

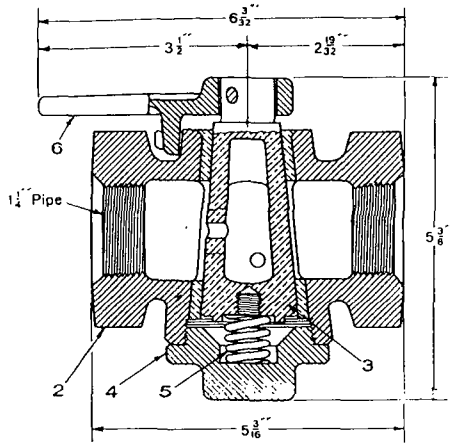
Pc. No.	Description
33073	1" Self-Locking Cut-out Cock, complete
32930	Self-Locking Handle, complete, for 1" Cut-out Cock
33072	1¼" Self-Locking Cut-out Cock, complete
37691	Self-Locking Handle, complete, for 1¼" Cut-out Cock

Prices will be quoted upon application

Orders should give PIECE NUMBER and NAME of part wanted

CUT-OUT COCKS—Continued

Piece No. 97290 1 1/4" Main Reservoir Cut-out Cock with 1/4" Side Vent, complete



Pc. No.	Ref. No.	Description
97289	2	Body, bushed
97291	3	Key
2097	4	Cap
*2098	5	Spring
97287	6	Handle

Net Weight 8 1/2 lbs.

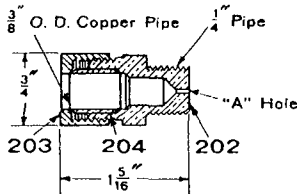
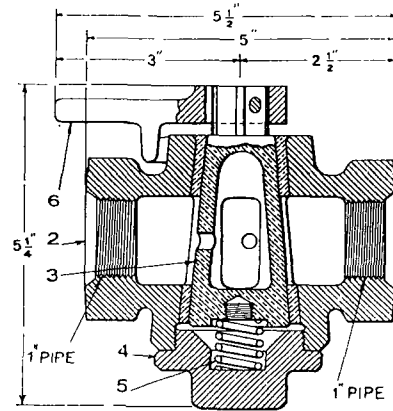
Piece No. 11905 1" Main Reservoir Cut-out Cock with 1/4" Side Vent, complete (Std. for No. 6 ET)

Piece No. 21979 1" Main Reservoir Cut-out Cock with 1/4" Side Vent, complete, with Union Stud (Pc. 71713)

Piece No. 50772 1" Brake Cylinder Cut-out Cock with Side Vent Tapped for 1/4" Pipe, complete

Pc. No.	Ref. No.	Description
11906	2	Body, bushed
63316	2	Body, bushed (Tapped for Union Stud)
56471	2	Body, bushed (Vent Tapped)
11909	3	Key
2097	4	Cap
*2098	5	Spring
11667	6	Handle

Net Weight 8 lbs.



Net Weight 1/4 lb.

Ref. No.	Union Stud Connection, Complete	Piece Number		
		71713	86773	87805
	Size of "A" Hole	5/16"	1/16"	3/32"
202	Union Stud	71730	86772	87804
203	Union Nut	71728	71728	71728
204	Sleeve	71727	71727	71727

Piece No. 99081 3/4" Cut-out Cock, complete (with Split Type Handle)

Piece No. 2233 3/4" Cut-out Cock, complete (with Non-Split Type Handle)

Piece No. 501074 3/4" Cut-out Cock, with Choke Fitting, complete (includes 7) (with Split Type Handle)

Piece No. 14494 3/4" Cut-out Cock, with Choke Fitting, complete (includes 7) (with Non-Split Type Handle)

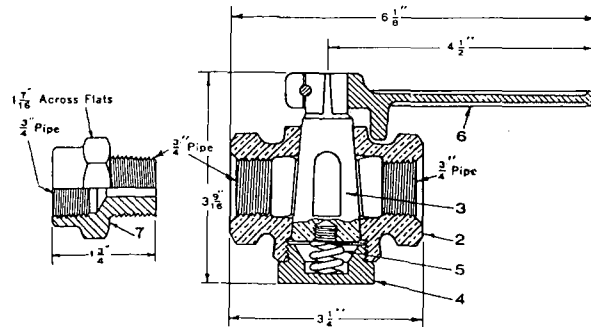
Piece No. 501075 3/4" Cut-out Cock, with one end Threaded and other end Tapped, complete (with Split Type Handle)

Piece No. 22505 3/4" Cut-out Cock, with one end Threaded and other end Tapped, complete (with Non-Split Type Handle)

Pc. No.	Ref. No.	Description
2235	2	Body (both ends Tapped)
22504	2	Body (one end Threaded, other Tapped)
2236	3	Key
94297	4	Cap
*2145	5	Spring
99210	6	Handle (Split Type)
15279	6	Handle (Non-Split Type)
11644	7	Choke Fitting

Net Weight, with Choke 2 3/4 lbs.

Net Weight, without Choke 2 1/2 lbs.

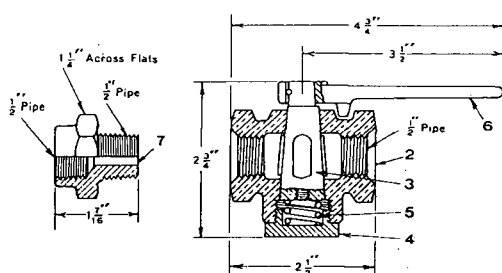


*NOTE—For Spring Identification Table, see page 13.

Prices will be quoted upon application
Orders should give PIECE NUMBER and NAME of part wanted

CUT-OUT COCKS—Continued

- Piece No. 99085 1/2" Cut-out Cock, complete (with Split Type Handle)
 Piece No. 15213 1/2" Cut-out Cock, complete (with Non-Split Type Handle)
 Piece No. 501083 1/2" Cut-out Cock, with Choke Fitting, complete (includes 7) (with Split Type Handle)
 Piece No. 14493 1/2" Cut-out Cock, with Choke Fitting, complete (includes 7) (with Non-Split Type Handle)
 Piece No. 501086 1/2" Cut-out Cock, with 1/8" Vent complete (with Split Type Handle)
 Piece No. 43287 1/2" Cut-out Cock, with 1/8" Vent, complete (with Non-Split Type Handle)



Pc. No.	Ref. No.	Description
2228	2	Body
43078	2	Body (with 1/8" Vent)
2229	3	Key
43079	3	Key (with 1/8" Vent)
88064	4	Cap
*2231	5	Spring
99224	6	Handle (Split Type)
9035	6	Handle (Non-Split Type)
11645	7	Choke Fitting

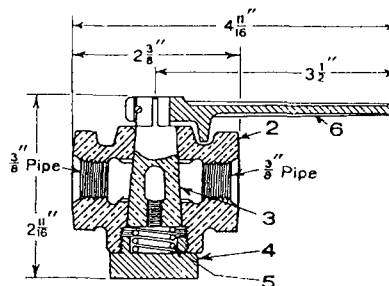
Net Weight, with Choke 1 3/4 lbs.

Net Weight, without Choke 1 1/2 lbs.

- Piece No. 500291 3/8" Cut-out Cock, complete (with Split Type Handle)
 Piece No. 9053 3/8" Cut-out Cock, complete (with Non-Split Type Handle)
 Piece No. 501065 3/8" Cut-out Cock, with 1/8" Vent, complete (with Split Type Handle)
 Piece No. 12260 3/8" Cut-out Cock, with 1/8" Vent, complete (with Non-Split Type Handle)

Pc. No.	Ref. No.	Description
9055	2	Body
12258	2	Body (with 1/8" Vent)
9056	3	Key
12259	3	Key (with 1/8" Vent)
88064	4	Cap
*2231	5	Spring
99224	6	Handle (Split Type)
9035	6	Handle (Non-Split Type)

Net Weight 1 1/4 lbs.



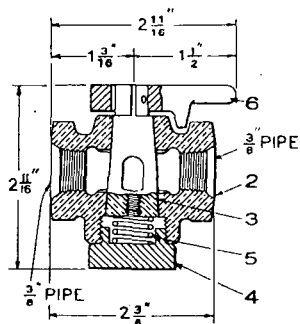
3/8" CUT-OUT COCK WITH SHORT HANDLE

Furnished as part of "Dead Engine" feature of ET Locomotive Brake Equipments.

- Piece No. 22459 3/8" Cut-out Cock, with Short Handle complete

Pc. No.	Ref. No.	Description
9055	2	Body
9056	3	Key
88064	4	Cap
*2231	5	Spring
22458	6	Handle

Net Weight 1 1/4 lbs.

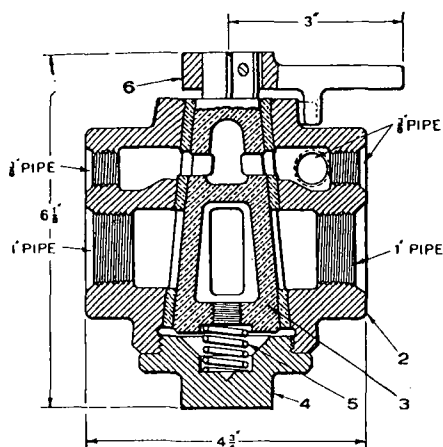


*NOTE—For Spring Identification Table, see page 13.

Prices will be quoted upon application

Orders should give PIECE NUMBER and NAME of part wanted

CUT-OUT COCKS—Continued



DOUBLE CUT-OUT COCK

Formerly supplied with No. 5 ET Locomotive Brake Equipment, for cutting out the H-5 Brake Valve when double heading.

Piece No. 11661 $\frac{3}{8}$ " and 1" Double Cut-out Cock, complete

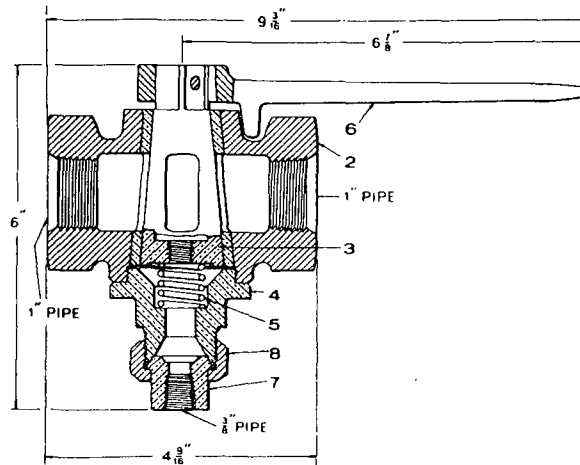
Pc. No.	Ref. No.	Description
11662	2	Body, bushed
10658	3	Key
10657	4	Cap
*2098	5	Spring
11667	6	Handle
33711		$\frac{3}{8}$ " Pipe Plug

Net Weight 10 $\frac{1}{4}$ lbs.

Piece No. 66500 1" Brake Pipe Cut-out Cock, complete, with $\frac{3}{8}$ " Swivel Connection

Pc. No.	Ref. No.	Description
2136	2	Body, bushed
2139	3	Key
63929	4	Cap Nut with $\frac{3}{8}$ " Swivel Connection
*2098	5	Spring
2103	6	Handle
37625	7	$\frac{3}{8}$ " Union Swivel
15292	8	$\frac{3}{8}$ " Union Nut

Net Weight 7 $\frac{3}{4}$ lbs.



MISCELLANEOUS

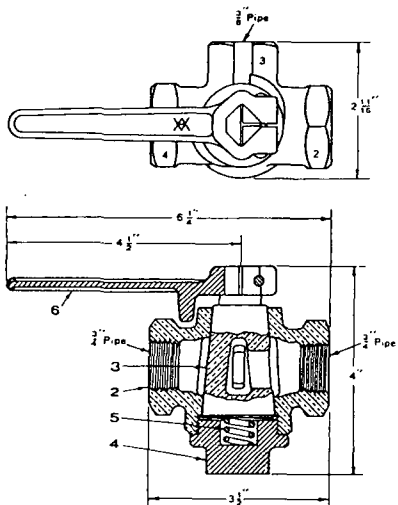
THREE-WAY COCK

Piece No. 99086 $\frac{3}{4}$ " x $\frac{3}{4}$ " x $\frac{3}{8}$ " Three-Way Cock, complete (with Split Type Handle)

Piece No. 84757 $\frac{3}{4}$ " x $\frac{3}{4}$ " x $\frac{3}{8}$ " Three-Way Cock, complete (with Non-Split Type Handle)

Pc. No.	Ref. No.	Description
72282	2	Body
84747	3	Key
43061	4	Cap
*2145	5	Spring
99199	6	Handle (Split Type)
41451	6	Handle (Non-Split Type)

Net Weight 3 $\frac{3}{4}$ lbs.



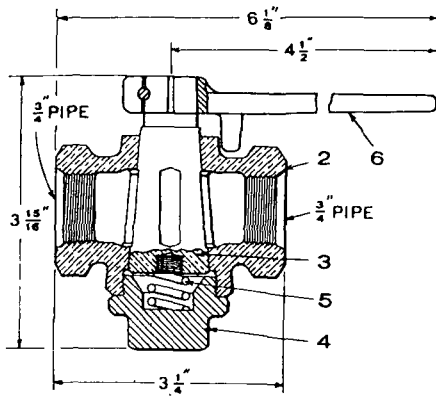
*NOTE—For Spring Identification Table, see page 13.

Prices will be quoted upon application

Orders should give PIECE NUMBER and NAME of part wanted

MISCELLANEOUS—Continued

THREE-WAY COCK



3/4" Three-Way Cock, located in the cab, is used as a mountain cock and should not be used for other purposes. The handle position is opposite the standard cut-out cock practice, that is, it is parallel with the pipe when the cock is open to the brake cylinder.

Piece No. 501097 3/4" Three-Way Cock, complete (with Split Type Handle)

Piece No. 24900 3/4" Three-Way Cock, complete (with Non-Split Type Handle)

Pc. No.	Ref. No.	
10026	2	Body
10027	3	Key
94297	4	Cap
*2145	5	Spring
99210	6	Handle (Split Type)
15279	6	Handle (Non-Split Type)

Net Weight 3 1/4 lbs.

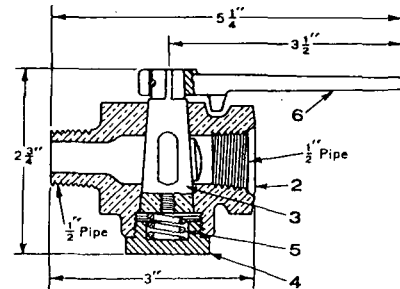
DRAIN COCK

Piece No. 99080 1/2" Drain Cock, complete, (with Split Type Handle)

Piece No. 7716 1/2" Drain Cock, complete (with Non-Split Type Handle)

Pc. No.	Ref. No.	
7718	2	Body
2229	3	Key
88064	4	Cap
*2231	5	Spring
99224	6	Handle (Split Type)
9035	6	Handle (Non-Split Type)

Net Weight 1 1/2 lbs.

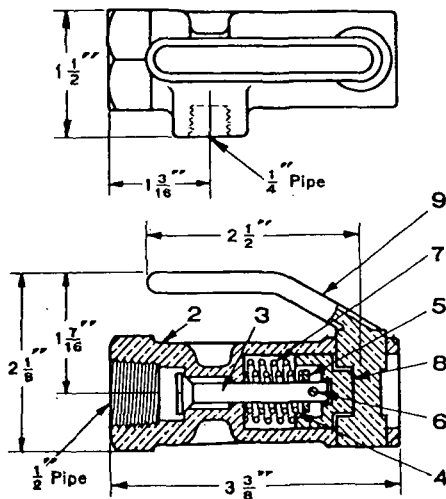


STEAM DRAIN VALVE

We recommend the use of the Steam Drain Valve for Steam Driven Air Compressors.

Piece No. 96744 1/2" Steam Drain Valve, complete

Piece No. 503286 1/4" Steam Drain Valve, complete (includes Pc. 43715)



Pc. No.	Ref. No.	
96739	2	Body
96735	3	Valve
*99465	4	Valve Spring
3432	5	Spring Seat
6330	6	Pin
*99464	7	Handle Spring
96738	8	Valve Guide
96736	9	Handle
43715		1/2"x1/4" Reducing Bushing

Net Weight 1 lb.

*NOTE—For Spring Identification Table, see page 13.

Prices will be quoted upon application

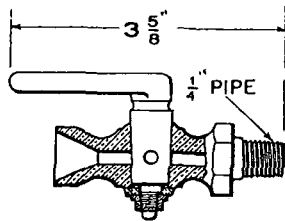
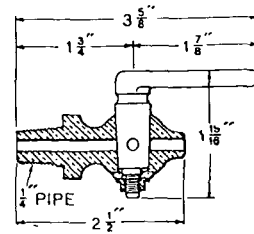
Orders should give PIECE NUMBER and NAME of part wanted

MISCELLANEOUS—Continued

DRAIN COCK

**Piece No. 41814 1/4" Drain Cock

Net Weight 1/2 lb.

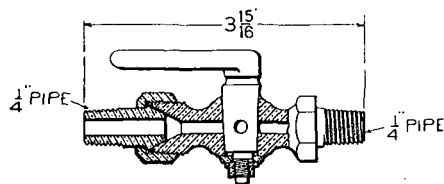
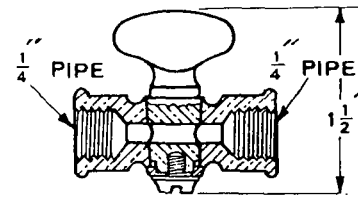


OIL COCK

**Piece No. 1916 1/4" Oil Cock

Net Weight 1/2 lb.

GAGE COCK
 **Piece No. 32818 1/4" Gage Cock
 Net Weight 1/4 lb.



**Piece No. 1887 1/4" Cock with Union Connection for 1/4" Iron Pipe

1892 Swivel for Union Connection

1893 Nut for Union Connection

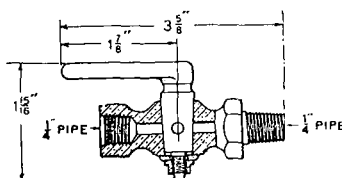
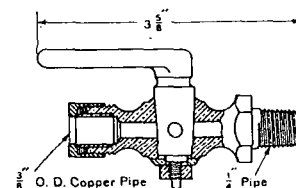
Net Weight 1/2 lb.

**Piece No. 24333 1/4" Cock with Union Connection for 3/8" Copper Tubing

71727 Thimble for Union Connection

71728 Nut for Union Connection

Net Weight 1/2 lb.



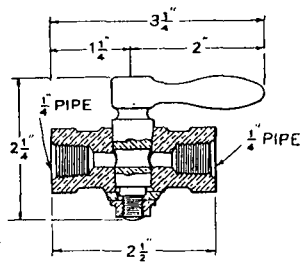
**Piece No. 11928 1/4" Cock with One End Threaded and other End Tapped

Net Weight 1/2 lb.

**NOTE—For Description of Handles, see note page 3.

Prices will be quoted upon application
 Orders should give PIECE NUMBER and NAME of part wanted

MISCELLANEOUS—Continued

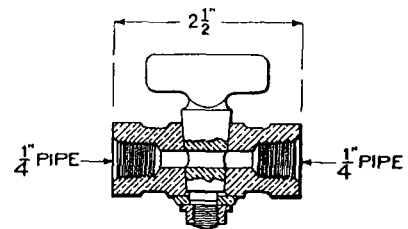


****Piece No. 16623 1/4" Cock with Both Ends Tapped**

Net Weight 3/4 lb.

****Piece No. 19410 1/4" Cock with Tee Handle**

Net Weight 5/8 lb.

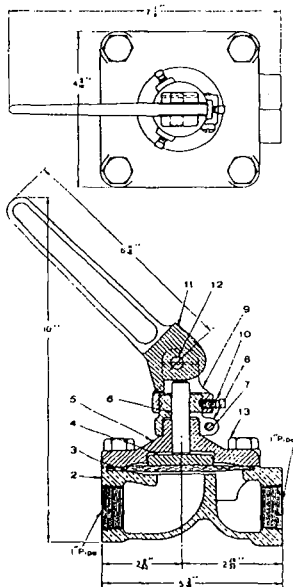


****1/4" COCK HANDLES**

1/4" Cocks, Piece Nos. 41814, 1916, 1887, 24333, and 11928, having flat lever handles, are closed when handle is parallel with pipe. Those having round lever or tee handles, Piece Nos. 16623, 32818 and 19410, are open when handle is parallel with pipe.

DIAPHRAGM COCKS

with Quick Opening Handle



Piece No. 96037 1" Diaphragm Cock, complete, with Quick Opening Handle

Pc. No.	Ref. No.	Description
85826	2	Body
85827	3	Diaphragm
85828	4	Disc
96038		Cover, complete (includes 5, 6, 7, 8, 9, 11, 12, and three of 10)
94767	5	Cover
95405	6	Stem
3118	7	Ov. Hd. Mch. Screw
95404	8	Coupling
95403	9	Fulcrum
11034	10	Sq. Hd. Cup Pt. Set Screw (3 Req'd)
95398	11	Handle
95409	12	Fulcrum Pin
10834	13	Hex. Hd. Bolt and Nut (4 Req'd)

Net Weight 9 1/4 lbs.

**NOTE—For Description of Handles, see note page 3.

Prices will be quoted upon application

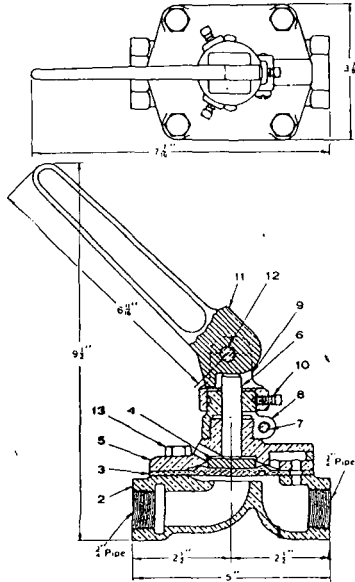
Orders should give **PIECE NUMBER** and **NAME** of part wanted

DIAPHRAGM COCKS—Continued

with Quick Opening Handle

Piece No. 95411 3/4" Diaphragm Cock, complete, with Quick Opening Handle (with Vent in Cover)

Piece No. 96041 3/4" Diaphragm Cock, complete, with Quick Opening Handle (without Vent)

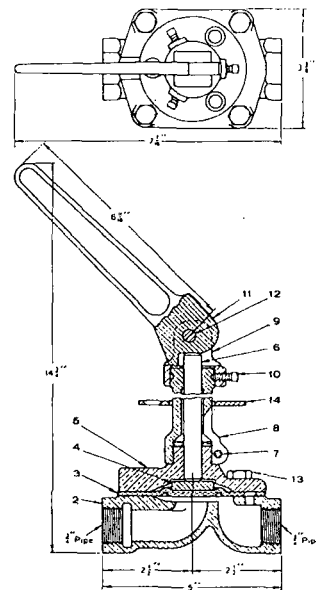


Net Weight 6 lbs.

Pc. No.	Ref. No.	Description
83298	2	Body
86582	3	Diaphragm
83292	4	Disc
96040		Cover (with Vent), complete, (includes 5, 6, 7, 8, 9, 11, 12, and three of 10)
96036		Cover (without Vent), complete (includes 5, 6, 7, 8, 9, 11, 12, and three of 10)
95766	5	Cover (with Vent)
94760	5	Cover (without Vent)
95405	6	Stem
3118	7	Ov. Hd. Mch. Screw
95404	8	Coupling
95403	9	Fulcrum
11034	10	Sq. Hd. Cup Pt. Set Screw (3 Req'd)
95398	11	Handle
95409	12	Fulcrum Pin
24286	13	Hex. Hd. Cap Screw (4 Req'd)

Piece No. 95412 3/4" Diaphragm Cock, complete, with Quick Opening Extension Handle

Pc. No.	Ref. No.	Description
83298	2	Body
86582	3	Diaphragm
83292	4	Disc
96031		Cover, complete, (includes 5, 6, 7, 8, 9, 11, 12, 14, and three of 10)
94760	5	Cover
95399	6	Stem
3118	7	Ov. Hd. Mch. Screw
95400	8	Sleeve
95403	9	Fulcrum
11034	10	Sq. Hd. Cup Pt. Set Screw (3 Req'd)
95398	11	Handle
95409	12	Fulcrum Pin
24286	13	Hex. Hd. Cap Screw (4 Req'd)
95402	14	Escutcheon



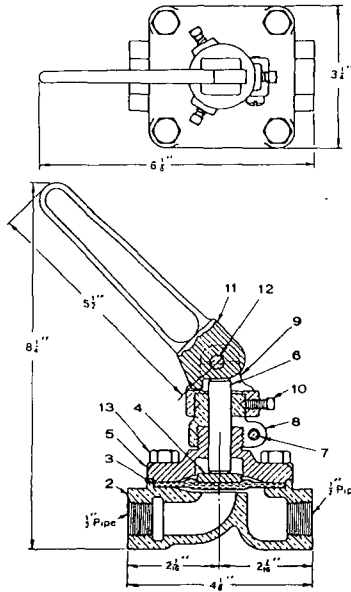
Net Weight 7 1/2 lbs.

Prices will be quoted upon application

Orders should give PIECE NUMBER and NAME of part wanted

**DIAPHRAGM COCKS—Continued
with Quick Opening Handle**

Piece No. 95413 1/2" Diaphragm Cock, complete, with Quick Opening Handle



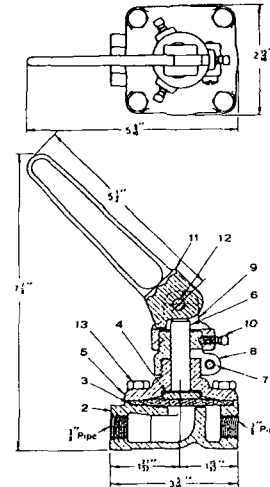
Pc. No.	Ref. No.	Description
83299	2	Body
81807	3	Diaphragm
83291	4	Disc
96039		Cover, complete (includes 5, 6, 7, 8, 9, 11, 12, and three of 10)
95396	5	Cover
95405	6	Stem
3118	7	Ov. Hd. Mch. Screw
95408	8	Coupling
95407	9	Fulerum
11034	10	Sq. Hd. Cup Pt. Set Screw (3 Req'd)
95395	11	Handle
95397	12	Fulerum Pin
24286	13	Hex. Hd. Cap Screw (4 Req'd)

Net Weight 4 3/4 lbs.

Piece No. 96035 3/8" Diaphragm Cock, complete, with Quick Opening Handle

Pc. No.	Ref. No.	Description
85820	2	Body
85821	3	Diaphragm
83291	4	Disc
96034		Cover, complete (includes 5, 6, 7, 8, 9, 11, 12, and three of 10)
96032	5	Cover
96033	6	Stem
3118	7	Ov. Hd. Mch. Screw
95408	8	Coupling
95407	9	Fulerum
11034	10	Sq. Hd. Cup Pt. Set Screw (3 Req'd)
95395	11	Handle
95397	12	Fulerum Pin
85825	13	Hex. Hd. Bolt and Nut (4 Req'd)

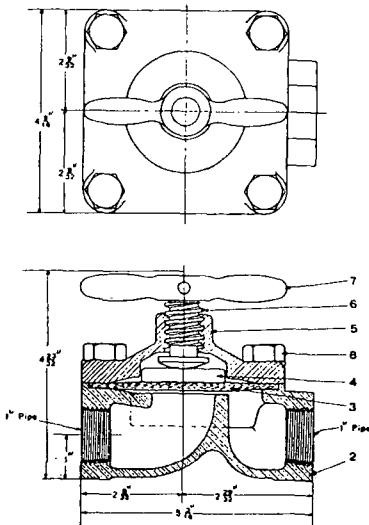
Net Weight 3 1/2 lbs.



**DIAPHRAGM COCKS
Screw Type Handle**

Diaphragm Cocks with Screw Type Handle have been superseded by Diaphragm Cocks with Quick Opening Handle and are listed for convenience in ordering repair parts.

Piece No. 85818 1" Diaphragm Cock, complete



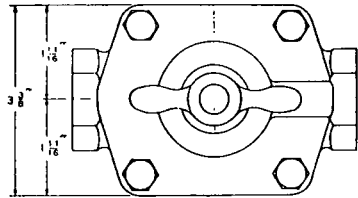
Pc. No.	Ref. No.	Description
85826	2	Body
85827	3	Diaphragm
85828	4	Disc
85829	5	Cover
85830	6	Stem
85831	7	Handle
10834	8	Hex. Hd. Bolt and Nut (4 Req'd)

Net Weight 8 3/4 lbs.

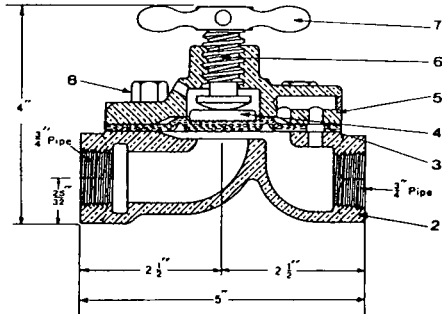
Prices will be quoted upon application

Orders should give PIECE NUMBER and NAME of part wanted

DIAPHRAGM COCKS—Continued
Screw Type Handle



- Piece No. 83270 3/4" Diaphragm Cock, complete
- Piece No. 83283 3/4" Diaphragm Cock, complete, without Handle
- Piece No. 83269 3/4" Diaphragm Cock, complete, with 3/16" Vent in Cover



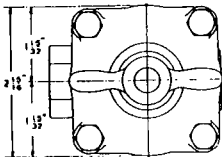
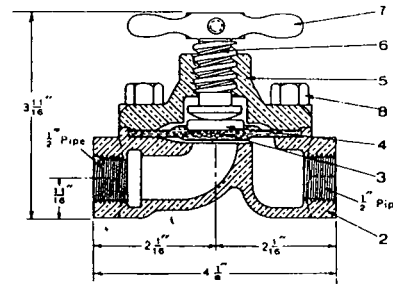
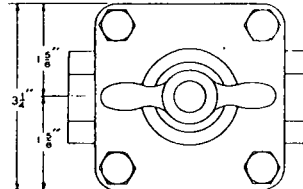
Pc. No.	Ref. No.	
83298	2	Body
86582	3	Diaphragm
83292	4	Disc
83294	5	Cover (without Vent)
83293	5	Cover (with 3/16" Vent)
83296	6	Stem
83297	7	Tee Handle
24286	8	Hex. Hd. Cap Screw (4 Req'd)

Net Weight 5 lbs.

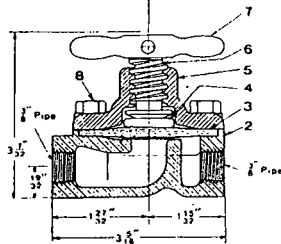
Piece No. 83268 1/2" Diaphragm Cock, complete

Pc. No.	Ref. No.	
83299	2	Body
81807	3	Diaphragm
83291	4	Disc
83306	5	Cover
83296	6	Stem
83297	7	Tee Handle
24286	8	Hex. Hd. Cap Screw (4 Req'd)

Net Weight 4 lbs.



Piece No. 85817 3/8" Diaphragm Cock, complete



Pc. No.	Ref. No.	
85820	2	Body
85821	3	Diaphragm
83291	4	Disc
85822	5	Cover
85823	6	Stem
83297	7	Handle
85825	8	Hex. Hd. Bolt and Nut (4 Req'd)

Net Weight 2 3/4 lbs.

Prices will be quoted upon application
 Orders should give **PIECE NUMBER** and **NAME** of part wanted

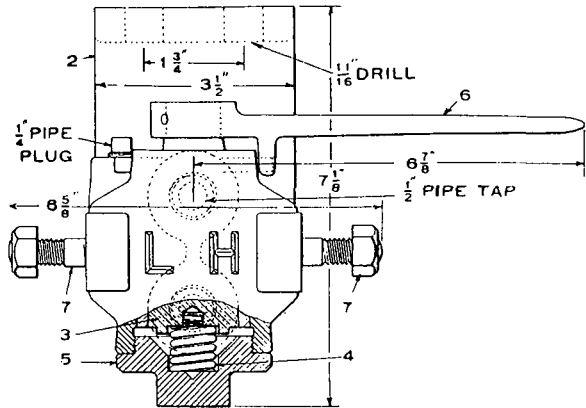
REVERSING COCK

Used in connection with old Standard AG Engine Equipment.

Piece No. 2574 Reversing Cock, complete

Pc. No.	Ref. No.	Description
2576	2	Body, bushed
2579	3	Key
*2098	4	Key Spring
2097	5	Cap
2100	6	Handle
2305	7	Stud and Nut (4 Req'd)
1635		1/4" Pipe Plug

Net Weight 14 1/4 lbs.



***SPRING IDENTIFICATION**

The following table is shown to enable railroad men, storekeepers and all Air Brake men to identify the various springs used in the Cocks cataloged herein. It is based on calculated figures and the actual spring will vary somewhat, due to small differences in wire diameter, coil diameter, number of turns, etc. This tabulation is intended for identification only and should not be used for any other purpose. It does not represent a specification for the springs mentioned.

Pc. No.	Approx. Out. Dia. "A"	Approx. Dia. Wire "B"	Approx. Free Height "C"	†Approx. No. Turns	Material	Name of Spring	Where Used
2098	5/8"	.134"	1 1/32"	5	Brass	Key Spring	Reversing, Double, 1" and 1 1/4" Cocks
2145	5/8"	.102"	3/4"	4 1/2	Brass	Key Spring	3/4" Cut-out Cocks
2231	5/8"	.091"	5/8"	4	Brass	Key Spring	3/8" and 1/2" Cocks
502535	1 1/2"	.0625"	1 7/32"	15	Steel	Latch Spring	Angle Cock
99465	1/2"	.072"	5/16"	8 1/2	Steel	Valve Spring	Steam Drain Valve
99464	3/4"	.072"	7/32"	4 1/2	Steel	Handle Spring	Steam Drain Valve

†Number of turns of wire in each Spring Counted between extreme ends of wire.

COCK KEYS

We strongly recommend that all angle and cut-out cocks be returned to us at Wilmerding, Pa., or the Westinghouse Pacific Coast Brake Co., Emeryville, Cal., for repairs, since we have exceptional facilities for handling this work in quantity at low cost, and maintaining standards, so important to Air Brake Apparatus. However, we will furnish, if desired, repair sizes of both angle and cut-out cock keys as follows:

1 1/4" ANGLE AND CUT-OUT COCK KEYS

Pc. No.	Diameter at Large End
33303	1.6025 Minimum
33304	1.626
2096	1.65 Standard
33305	1.676
29543	1.702 Maximum

1" CUT-OUT COCK KEYS

Pc. No.	Diameter at Large End
34948	1.433 Minimum
2139	1.453 Standard
34949	1.473 Maximum

3/4" CUT-OUT COCK KEYS

Pc. No.	Diameter at Large End
34946	1.171 Minimum
2236	1.191 Standard
34947	1.211 Maximum

1/2" CUT-OUT COCK KEYS

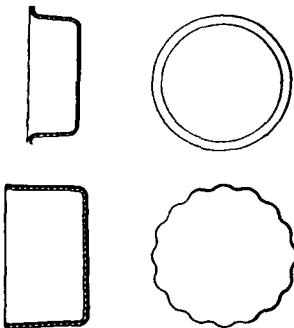
Pc. No.	Diameter at Large End
34944	.800 Minimum
2229	.820 Standard
34945	.840 Maximum

Prices will be quoted upon application

Orders should give **PIECE NUMBER** and **NAME** of part wanted

SHEET METAL THREAD PROTECTORS

Sheet metal thread protectors in the form of caps, plugs and discs are used to close the openings in various devices on shipment from our works, for the purpose of protecting threads from injury and preventing dirt from getting inside the apparatus. These are so satisfactory that we list below the protectors used with various types of cocks, believing that many railroads on account of the small expense involved and the protection insured, will desire to use them when shipping cocks from point to point or when returning old cocks to us for repairs.



- Piece No. 21228 For 1/4" Pipe Tap
- Piece No. 21194 For 3/8" Pipe Tap
- Piece No. 21195 For 1/2" Pipe Tap
- Piece No. 21196 For 3/4" Pipe Tap
- Piece No. 21197 For 1 " Pipe Tap
- Piece No. 21257 For 1 1/4" Pipe Tap

- Piece No. 57386 For 1/2" External Thread
- Piece No. 57387 For 3/4" External Thread

PACKING AND SHIPPING—STANDARD PRACTICE

We strongly recommend that all orders specify material in quantities conforming to our standard practice in boxing and packing. This will not only assist us in filling orders promptly but such original packages should prove of advantage to railroad storekeepers and others through greater convenience and economy in handling, ease of inventory, etc. The Cocks cataloged herein are packed as follows:

Type	Pc. No.	No. Per Box	Shipping Weight (Lbs.)	Pc. No.	No. Per Box	Shipping Weight (Lbs.)	Pc. No.	No. Per Box	Shipping Weight (Lbs.)
Angle	22413	50	550	22412	50	560	84311	*	*
	501382	*	*	502526	*	*	86809	*	*
	502977	*	*						
Cut-out	2092	50	490	2135	50	310	11905	*	*
				43004	*	*	97290	*	*
	21979	*	*	50772	*	*	2233	200	550
							99081	200	550
	14494	200	620	22505	200	590	15213	250	425
	501074	200	620	501075	200	590	99085	250	425
Three-way	14493	250	490	9053	250	400	22459	250	360
	501083	250	490	500291	250	400			
Drain	66500	*	*
	24900	*	*	84757	*	*
Oil	501097	*	*	99086	*	*
	7716	250	425	41814	*	*
Gage	99080	250	425			
	1916	*	*
Reversing	32818	*	*
	1887	*	*	24333	*	*	11928	*	*
Dble. C.O.	16623	*	*	19410	*	*
	2574	*	*
Diaphragm	11661	*	*
	85818	*	*	83283	*	*	83268	*	*
	96037	*	*	95412	*	*	95413	*	*
	83270	*	*	83269	*	*	85817	*	*
	95411	*	*	96041	*	*	96035	*	*

*Packed as Ordered

Prices will be quoted upon application
 Orders should give PIECE NUMBER and NAME of part wanted

Westinghouse Air Brake Company

Pittsburgh, Pa., U. S. A.

WORKS AT WILMERDING, PA.

OFFICES

ATLANTA	- - - - -	Candler Building
BOSTON	- - - - -	Statler Building
CHICAGO	- - - - -	Railway Exchange Building
CLEVELAND	- - - - -	Midland Building
DENVER	- - - - -	Denver National Building
HOUSTON, TEX.	- - - - -	Commerce Building
LOS ANGELES	- - - - -	Pacific Electric Building
MEXICO CITY, MEXICO	- - - - -	3a Puente de Alvarado, No. 67
NEW YORK	- - - - -	Empire State Building
ST. LOUIS	- - - - -	Broadway and Tyler Street
ST. PAUL	- - - - -	Endicott Building
SAN FRANCISCO	- - - - -	Matson Building
SEATTLE	- - - - -	Securities Building
TOPEKA	- - - - -	Columbian Building
WASHINGTON, D. C.	- - - - -	Munsey Building



ASSOCIATED COMPANIES

WESTINGHOUSE PACIFIC COAST BRAKE
COMPANY
Emeryville, Calif.

WESTINGHOUSE BRAKE & SIGNAL
COMPANY, LTD.
Chippenham, Wilts., England

COMPAGNIA ITALIANA WESTINGHOUSE
FRENI & SEGNALI
Turin, Italy

CANADIAN WESTINGHOUSE COMPANY, LTD.
Hamilton, Ontario, Canada

COMPAGNIE DES FREINS & SIGNAUX
WESTINGHOUSE
Paris, France

WESTINGHOUSE BRAKE (AUSTRALASIA)
PROPRIETARY, LTD.

Concord West, New South Wales, Australia
WESTINGHOUSE BREMSSEN GESELLSCHAFT, m.b.H.
Hanover, Germany