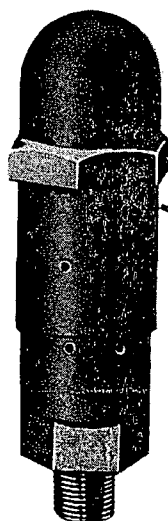


Westinghouse Air Brake Company

Pittsburgh, Pa., U. S. A.



Safety Valves

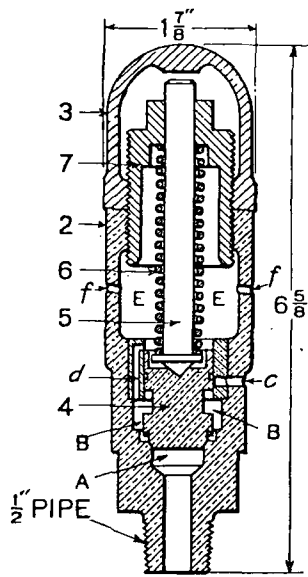
Part Catalog No. 3216-6

July, 1941

(SUPERSEDING ISSUE OF NOVEMBER, 1929)

TYPE E-1 SAFETY VALVES

This Safety Valve is suitable for general service where a high-grade air pressure safety valve is required. When necessary to have a close or adjustable range between the opening and closing points, the Type E-3 Safety Valve should be used.



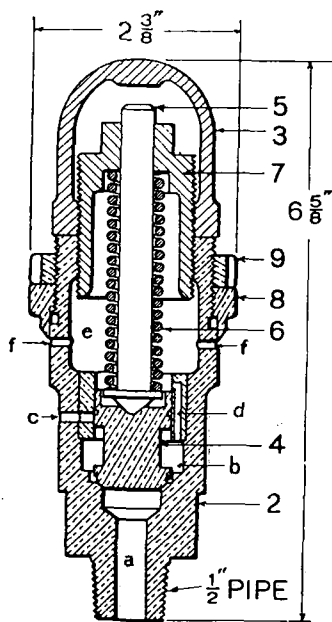
Net Weight 3 lbs.

- Piece No. 28487 Type E-1 Safety Valve (5 lbs. to 25 lbs.) complete
- Piece No. 18598 Type E-1 Safety Valve (10 lbs. to 40 lbs.) complete
- Piece No. 10526 Type E-1 Safety Valve (35 lbs. to 75 lbs.) complete
- Piece No. 24106 Type E-1 Safety Valve (60 lbs. to 100 lbs.) complete
- Piece No. 24107 Type E-1 Safety Valve (80 lbs. to 130 lbs.) complete
- Piece No. 24108 Type E-1 Safety Valve (110 lbs. to 150 lbs.) complete

Piece No.	Ref. No.	†No. Per Pkg.	
10528	2	6	Body, bushed
9029	3		Cap Nut
10524	4	24	Valve
10523	5	24	Valve Stem
*18286	6	100	Spring (5 lbs. to 25 lbs.)
*18414	6	12	Spring (10 lbs. to 40 lbs.)
* 1498	6	12	Spring (35 lbs. to 75 lbs.)
* 3639	6	12	Spring (60 lbs. to 100 lbs.)
*24112	6	25	Spring (80 lbs. to 130 lbs.)
*13434	6	12	Spring (110 lbs. to 150 lbs.)
9030	7	10	Regulating Nut

TYPE E-3 SAFETY VALVES

This Safety Valve is provided with an adjustable Exhaust Regulating Ring, by means of which the "drop" or range between the opening and closing points of the safety valve can be adjusted to any desired amount. It is, therefore, particularly adapted for use where it is desirable to keep this range at any given amount, large or small.



Net Weight 3 1/2 lbs.

- Piece No. 89006 Type E-3 Safety Valve (10 lbs. to 40 lbs.) complete
- Piece No. 24109 Type E-3 Safety Valve (50 lbs. to 90 lbs.) complete
- Piece No. 24110 Type E-3 Safety Valve (80 lbs. to 130 lbs.) complete
- Piece No. 12705 Type E-3 Safety Valve (110 lbs. to 150 lbs.) complete
- Piece No. 24111 Type E-3 Safety Valve (140 lbs. to 225 lbs.) complete
- Piece No. 15494 Type E-3 Safety Valve (210 lbs. to 325 lbs.) complete
- Piece No. 26079 Type E-3 Safety Valve (300 lbs. to 400 lbs.) complete

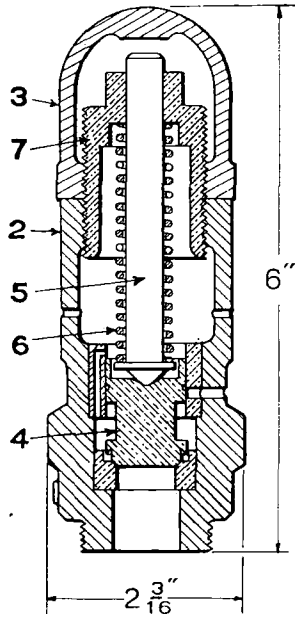
Piece No.	Ref. No.	†No. Per Pkg.	
12795	2	6	Body, bushed
9029	3		Cap Nut
10524	4	24	Valve
10523	5	24	Valve Stem
*18414	6	12	Spring (10 lbs. to 40 lbs.)
*24113	6	20	Spring (50 lbs. to 90 lbs.)
*24112	6	25	Spring (80 lbs. to 130 lbs.)
*13434	6	12	Spring (110 lbs. to 150 lbs.)
*24114	6	12	Spring (140 lbs. to 225 lbs.)
*12490	6		Spring (210 lbs. to 325 lbs.)
*26078	6		Spring (300 lbs. to 400 lbs.)
9030	7	10	Regulating Nut
12797	8	10	Exhaust Regulating Ring
12798	9	16	Lock Ring

*NOTE A—For Spring Identification Table, see page 6.

†NOTE B—Column headed "No. Per Pkg." indicates the items for which standard shipping packages have been established and the number contained in the package. Orders placed in these quantities and multiples thereof will facilitate shipments and provide convenient means for handling in store room stock.

Prices will be quoted upon application
 Orders should give PIECE NUMBER and NAME of part wanted

TYPE E-6 SAFETY VALVE



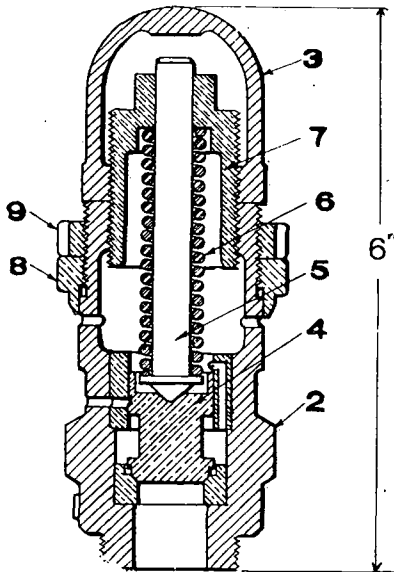
Net Weight 3 lbs.

This Safety Valve is a special valve, not used for general purposes. It is a part of and is regularly supplied with the No. 6 and No. 14 Distributing Valves.

**Piece No. 15890 E-6 Safety Valve (50 to 90 lbs.)
complete**

Piece No.	Ref. No.	†No. Per Pkg.	
15554	2	6	Body, bushed
9029	3		Cap Nut
10524	4	24	Valve
10523	5	24	Valve Stem
*24113	6	20	Spring (50 lbs. to 90 lbs.)
16087	7	10	Regulating Nut

TYPE E-7 SAFETY VALVE



Net Weight 3¼ lbs.

This Safety Valve is a special valve not used for general purposes. It is a part of and is regularly supplied with Type L Triple Valves, Steam Road Universal Valves and No. 8-A Distributing Valve.

**Piece No. 15549 E-7 Safety Valve (50 to 90 lbs.)
complete**

Piece No. 71753 E-7 Safety Valve (80 to 130 lbs.)

Piece No. 71776 E-7 Safety Valve (110 to 150 lbs.)

Piece No.	Ref. No.	†No. Per Pkg.	
15538	2	6	Body, bushed
9029	3		Cap Nut
10524	4	24	Valve
10523	5	24	Valve Stem
*24113	6	20	Spring (50 lbs. to 90 lbs.)
*24112	6	25	Spring (80 lbs. to 130 lbs.)
*13434	6	12	Spring (110 lbs. to 150 lbs.)
16087	7	10	Regulating Nut
12797	8	10	Exhaust Regulating Ring
12798	9	16	Lock Ring

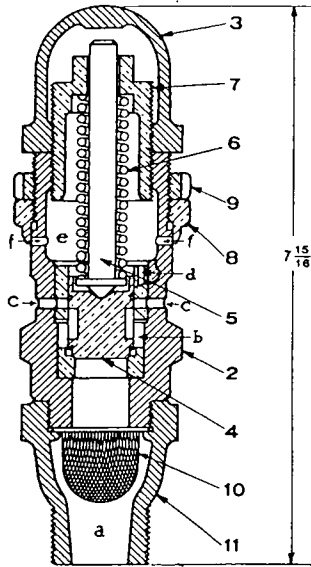
*NOTE A—For Spring Identification Table, see page 6.

†NOTE B—Column headed "No. Per Pkg." indicates the items for which standard shipping packages have been established and the number contained in the package. Orders placed in these quantities and multiples thereof will facilitate shipments and provide convenient means for handling in store room stock.

Prices will be quoted upon application

Orders should give **PIECE NUMBER** and **NAME** of part wanted

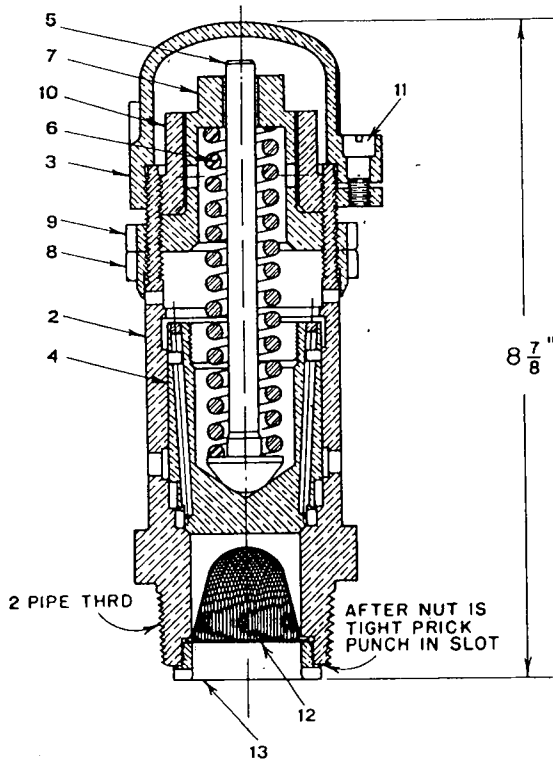
E-7-A SAFETY VALVE



Net Weight 4 lbs.

- Piece No. 515385 E-7-A Safety Valve, (50 to 90 lbs.), complete, with Strainer and 1" Adapter
- Piece No. 518337 E-7-A Safety Valve, (80 to 130 lbs.), complete, with Strainer and 1" Adapter
- Piece No. 513901 E-7-A Safety Valve, (110 to 150 lbs.), complete, with Strainer and 1" Adapter
- Piece No. 518470 E-7-A Safety Valve, (50 to 90 lbs.), complete, with Strainer and 1 1/4" Adapter
- Piece No. 518339 E-7-A Safety Valve, (80 to 130 lbs.), complete, with Strainer and 1 1/4" Adapter
- Piece No. 516217 E-7-A Safety Valve, (110 to 150 lbs.), complete, with Strainer and 1 1/4" Adapter
- Piece No. 518336 E-7-A Safety Valve, (50 to 90 lbs.), complete, less Strainer and Adapter
- Piece No. 518338 E-7-A Safety Valve, (80 to 130 lbs.), complete, less Strainer and Adapter
- Piece No. 513902 E-7-A Safety Valve, (110 to 150 lbs.), complete, less Strainer and Adapter

Pc. No.	Ref. No.	†No. Per Pkg.	
513880	2	6	Body, bushed
9029	3		Cap Nut
10524	4	24	Valve
10523	5	24	Valve Stem
* 24113	6	20	Spring (50 lbs. to 90 lbs.)
* 24112	6	25	Spring (80 lbs. to 130 lbs.)
* 13434	6	12	Spring (110 lbs. to 150 lbs.)
16087	7	10	Regulating Nut
12797	8	10	Exhaust Regulating Ring
12798	9	16	Lock Ring
1751	10	100	Strainer
513889	11		1" Pipe Adapter
516213	11		1 1/4" Pipe Adapter



Net Weight 10 1/2 lbs.

SAFETY VALVE FOR 2" PIPE

- Piece No. 515561 Safety Valve for 2" Pipe, complete, 800 Cu. Ft. Capacity—150 lbs. Pressure

Pc. No.	Ref. No.	
515911	2	Body
515912	3	Cap Nut
515913	4	Valve
515914	5	Valve Stem
* 4486	6	Spring
515915	7	Regulating Nut
515916	8	Exhaust Regulating Nut
515917	9	Exhaust Regulating Lock Nut
515918	10	Regulating Nut Lock Nut
515919	11	Fil. Hd. Cap Screw
515920	12	Strainer
515921	13	Strainer Retaining Ring

*NOTE A—For Spring Identification Table, see page 6.

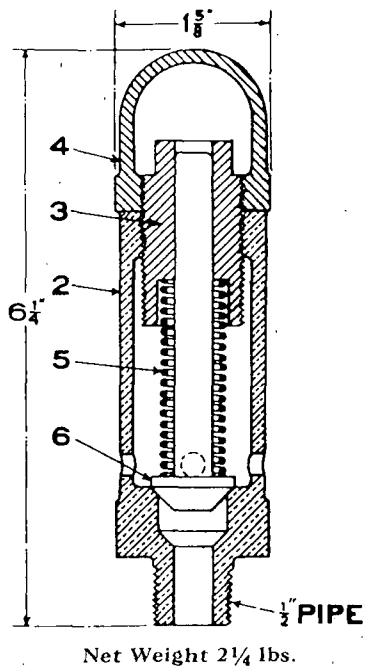
†NOTE B—Column headed "No. Per Pkg." indicates the items for which standard shipping packages have been established and the number contained in the package. Orders placed in these quantities and multiples thereof will facilitate shipments and provide convenient means for handling in store room stock.

Prices will be quoted upon application

Orders should give PIECE NUMBER and NAME of part wanted

C-1 AND C-2 SAFETY VALVES

The C-1 and C-2 Safety Valves are no longer furnished, having been superseded by the Type E-1 Safety Valve, and are listed only for convenience in ordering repair parts.

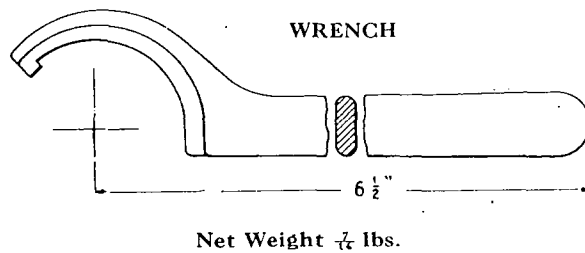


Piece No. 4432 Type C-2 Safety Valve (60 lbs. to 140 lbs.), complete

Piece No. 3977 Type C-1 Safety Valve (30 lbs. to 70 lbs.), complete

Piece No. 33248 Type C-1 Safety Valve (below 10 lbs.), complete

Pc. No.	Ref. No.	Description
4431	2	C-2 Safety Valve Body
3976	2	C-1 Safety Valve Body
1497	3	Regulating Nut
1496	4	Cap Nut
†3639	5	Spring, for C-2 Safety Valve (60 lbs. to 140 lbs.)
†1498	5	Spring, for C-1 Safety Valve (30 to 70 lbs.)
†1057	5	Spring, for C-1 Safety Valve (below 10 lbs.)
1495	6	Valve



Piece No. 22605 Wrench for E-3 and E-7 Safety Valve Regulating Rings

†NOTE—For Spring Identification Table, see page 6.

Prices will be quoted upon application


Orders should give **PIECE NUMBER** and **NAME** of part wanted

PACKING AND SHIPPING—STANDARD PRACTICE

Safety Valves are packed as required, either separately or with other material.

†SPRING IDENTIFICATION

The following table is shown to enable railroad men, storekeepers and all Air Brake men to identify the various springs used in the Safety Valves cataloged herein. It is based on calculated figures and the actual spring will vary somewhat, due to small difference in wire diameter, coil diameter, number of turns, etc. This tabulation is intended for identification only and should not be used for any other purpose. It does not represent a specification for the springs mentioned.

		SPRING IDENTIFICATION				
Pc. No.	Out. Dia. "A"	Dia. Wire "B"	Free Height "C"	*Approx. No. Coils	Material	Where Used
1057	$\frac{3}{16}$ "	.058"	$2\frac{3}{4}$ "	15½	Nickel Steel	C-1, below 10 lbs.
1498	$\frac{5}{8}$ "	.092"	$3\frac{1}{4}$ "	20	Nickel Steel	E1 and C-1, 35 lbs. to 75 lbs.
3639	$\frac{11}{32}$ "	.106"	$3\frac{3}{16}$ "	17	Nickel Steel	E-1 and C-2, 60 lbs. to 100 lbs.
12490	$\frac{23}{32}$ "	.148"	$3\frac{23}{64}$ "	15½	Nickel Steel	E-3, 210 lbs. to 325 lbs.
13434	$\frac{11}{16}$ "	.121"	$3\frac{5}{16}$ "	17	Nickel Steel	E-1, E-3 and E-7, 110 lbs. to 150 lbs.
18286	$\frac{19}{32}$ "	.072"	$2\frac{31}{32}$ "	15	Cadmium Plated	E-1, 5 lbs. to 25 lbs.
18414	$\frac{13}{16}$ "	.080"	$2\frac{11}{16}$ "	16½	Nickel Steel	E-1 and E-3, 10 lbs. to 40 lbs.
24112	$\frac{11}{16}$ "	.121"	$3\frac{3}{16}$ "	17	Nickel Steel	E-1, E-3 and E-7, 80 lbs. to 130 lbs.
24113	$\frac{11}{16}$ "	.106"	$2\frac{31}{32}$ "	15½	Nickel Steel	E-3, E-6 and E-7, 50 lbs. to 90 lbs.
24114	$\frac{23}{32}$ "	.135"	$3\frac{1}{4}$ "	15	Nickel Steel	E-3, 140 lbs. to 225 lbs.
26078	$\frac{3}{4}$ "	.162"	$3\frac{1}{2}$ "	12½	Nickel Steel	E-3, 300 lbs. to 400 lbs.
4486	1"	.220"	$5\frac{1}{4}$ "	17½	Nickel Steel	Safety Valve for 2" Pipe

*NOTE—Number of turns in each spring counted between extreme ends of the wire.

Prices will be quoted upon application
 Orders should give PIECE NUMBER and NAME of part wanted

Westinghouse Air Brake Company

Pittsburgh, Pa., U. S. A.

WORKS AT WILMERDING, PA.

OFFICES

ATLANTA	Candler Building
BOSTON	Statler Building
CHICAGO	Railway Exchange Building
CLEVELAND	Midland Building
DENVER	Denver National Building
HOUSTON, TEX.	Commercial Building
LOS ANGELES	Pacific Electric Building
MEXICO CITY, MEXICO	3a Puente de Alvarado, No. 67
NEW YORK	Empire State Building
ST. LOUIS	Broadway and Tyler Street
ST. PAUL	Endicott Building
SAN FRANCISCO	Matson Building
SEATTLE	Securities Building
TOPEKA	Columbian Building
WASHINGTON, D. C.	Munsey Building



ASSOCIATED COMPANIES

WESTINGHOUSE PACIFIC COAST BRAKE
COMPANY
Emeryville, Calif.

WESTINGHOUSE BRAKE & SIGNAL
COMPANY, LTD.
Chippenham, Wilts., England

COMPAGNIA ITALIANA WESTINGHOUSE
FRENI & SEGNALI
Turin, Italy

CANADIAN WESTINGHOUSE COMPANY, LTD.
Hamilton, Ontario, Canada

COMPAGNIE DES FREINS WESTINGHOUSE
Paris, France

THE WESTINGHOUSE BRAKE (AUSTRALASIA)
PROPRIETARY, LTD.
Concord West, New South Wales, Australia

WESTINGHOUSE BREMSSEN GESELLSCHAFT, m.b.H.
Hanover, Germany