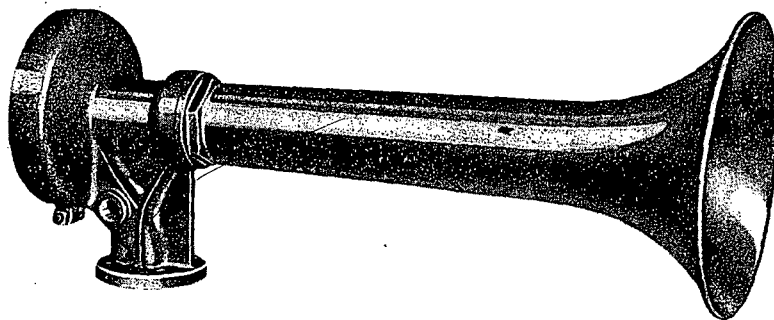


Westinghouse Air Brake Company

Pittsburgh, Pa., U. S. A.



(E-2 Pneuphonic Horn)

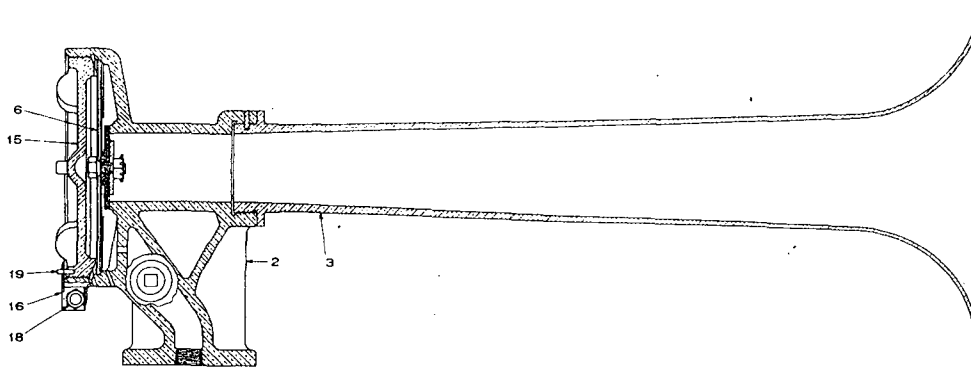
Pneuphonic Horns and Accessories

Part Catalog No. 3224-1

June, 1941

(SUPERSEDING ISSUE OF JANUARY, 1938)

PNEUPHONIC HORNS
E-2 PNEUPHONIC HORN

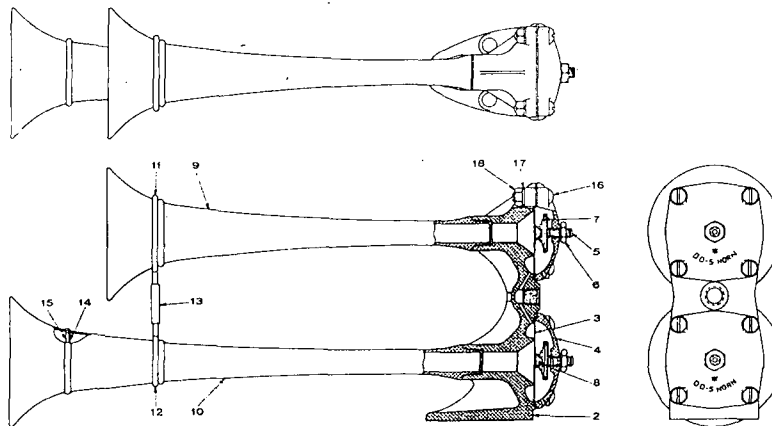


Net Weight 41 lbs.

Piece No. 515425 E-2 Pneuphonic Horn, complete
Piece No. 515426 E-2 Pneuphonic Horn, complete less Strainer

Pc. No.	Ref. No.	
513447	2	Body
515418	3	Bell
515411	6	Diaphragm, complete
512775	15	Cover
515404	16	Locking Clip
43378	18	Sq. Hd. Mch. Bolt with Hex. Nut
5989	19	Locking Pin
69090		1/2" Pipe Plug (2 Req'd)
6997		1/2" OB Air Strainer (for details see Part Catalog 3216-2 Sup. 11)

DD-5 PNEUPHONIC HORN



Net Weight 2 3/4 lbs.

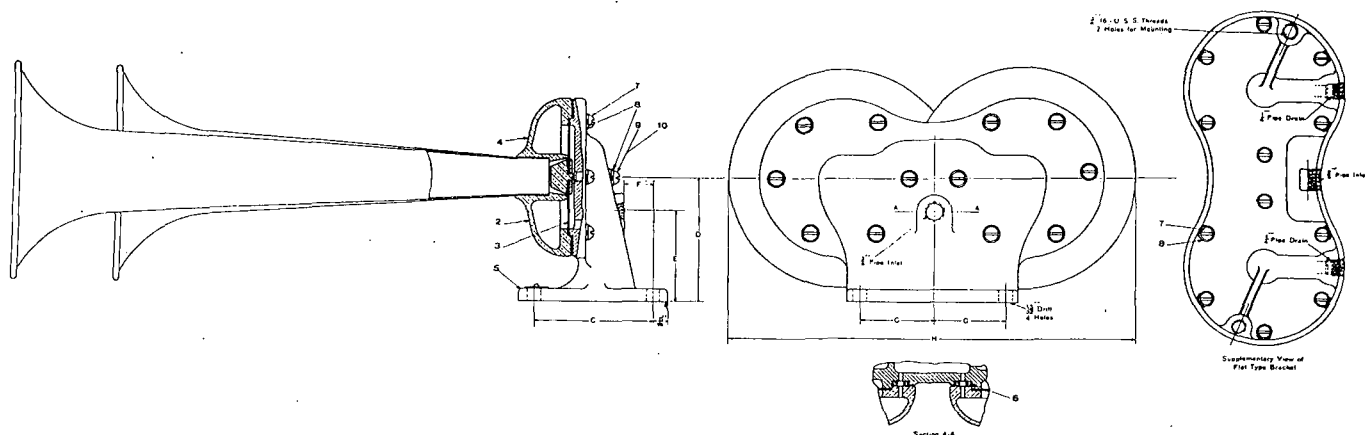
Piece No. 514065 DD-5 Pneuphonic Horn, complete

Pc. No.	Ref. No.		Pc. No.	Ref. No.	
514077	2	Body	514079	10	Long Bell
514088	3	Diaphragm (2 req'd)	514084		Bell Clamp Connector (includes 11, 12 and 13)
514094	4	Cover (2 req'd)	514085	11	Short Bell Clamp
514080		Spring Seat (includes 5 and 6) (2 req'd)	514086	12	Long Bell Clamp
514081	5	Spring Seat with Screw (2 req'd)	514087	13	Bell Connector
514096	6	5/16" Hex. Jam Nut (2 req'd)	514091	14	Screen (2 req'd)
514089	7	Spring (2 req'd)	514092	15	Screen Retainer (2 req'd)
514090	8	Spring Contact (2 req'd)	513698	16	1/4"-20x1" Rd. Hd. Mch. Screw (8 req'd)
514078	9	Short Bell	10764	17	1/4" Lock Washer (8 req'd)
			93783	18	1/4"-20 Hex. Nut (8 req'd)

Prices will be quoted upon application
Orders should give **PIECE NUMBER** and **NAME** of part wanted

PNEUPHONIC HORNS

TYPES AA-1, BB-1, AAC-1 and BBC-1



	REF. No.	TYPE AA-1		TYPE BB-1	TYPE AA-1		TYPE AAC-1		TYPE AAC-1	TYPE BBC-1
		*90365	90152	90599	*89942	90151	*91018	90155	90156	90595
Complete Pc. No. without Screen										
Complete Pc. No. with Screen		*91823	92214		*92201	92213	*92221	92215	92216	
Body with Short Horn	2	89943	90096	90600	89943	90096	90834	90128	90128	90587
Diaphragm for Short Bell	3	93743	93743	94089	93743	93743	93743	93743	93743	94089
Diaphragm for Long Bell	3	93738	93738	94091	93738	93738	93738	93738	93738	94091
Body with Long Horn	4	89946	90122	90601	89946	90122	90835	90157	90157	90642
Bracket	5	90153	90153	90596	89948	89948	89948	89948	90153	90596
Gasket (2 Req'd)	6	88762	88762	88762	88762	88762	88762	88762	88762	88762
Mch. Screw (8 Req'd)	7	93329	93329	93340	93329	93329	93329	93329	93329	93340
Lock Washer (12 Req'd)	8	10764	10764	17173	10764	10764	10764	10764	10764	17173
Mch. Screw (4 Req'd)	9	93330	93330		93329	93329	93329	93329	93330	
Mch. Screw (2 Req'd)	9			93343						93343
Mch. Screw (2 Req'd)	10			93342						93342
1/8" Pipe Plug		59071	59071						59071	
3/8" Pipe Plug		56992	56992	56992					56992	56992
Dimension "A"		19 1/8"	25 1/8"		17 3/16"		19 1/16"	20 1/2"		27 11/16"
Dimension "B"		7"	10 1/2"				7 1/4"	8 9/16"		13 3/8"
Dimension "C"		3 1/2"	4 5/8"					3 1/2"		4 5/8"
Dimension "D"		3 1/16"	5 1/2"					3 1/16"		5 1/2"
Dimension "E"		2 1/16"	4 1/2"					2 1/16"		4 1/2"
Dimension "F"		1 1/8"	1 1/2"					1 1/8"		1 1/2"
Dimension "G"		2 1/16"	2 1/16"					2 1/16"		2 1/16"
Dimension "H"		11 1/8"	17 1/2"							
Net Weight (lbs.)		15	28		13		13	15		28

*NOTE A—With Chromium Plated Bells.

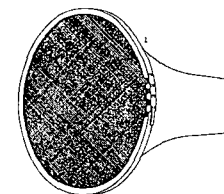
NOTE B—One (1) 3/8" Air Strainer Pc. 79452, Page 10, is supplied with each Pneuphonic Horn.

NOTE C—Type A-1 and AA-1 Pneuphonic Horns are regularly furnished without Screens. However, if they are desired with Screens order should so state and specify Piece Number in accordance with the second line of the above schedule.

NOTE D—If Screens are desired for Pneuphonic Horns of the "A" series, specify:

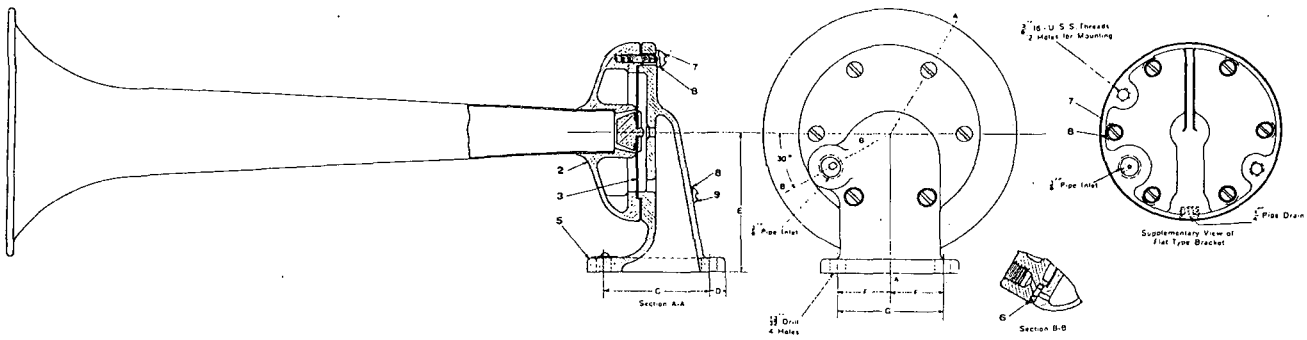
Pc. No. 91501 Screen, complete (Chromium Plated)

Pc. No. 91532 Screen, complete (Brass)



Prices will be quoted upon application
Orders should give **PIECE NUMBER** and **NAME** of part wanted

PNEUPHONIC HORNS
TYPES A-1, AC-1, B-1 and BC-1



	REF. NO.	TYPE A-1				TYPE B-1		TYPE A-1		TYPE A-1	
		*90988	90123	*92062	90119	91197	91945	*90987	*90121	*91132	90095
Complete Pc. No. without Screen											
Complete Pc. No. with Screen		*92220	92205	*92223	92203			*92219	92204	*92222	92202
Body with Horn	2	89946	90122	89943	90096	90600	90601	89946	90122	89943	90096
Diaphragm	3	93738	93738	93743	93743	94089	94091	93738	93738	93743	93743
Bracket	5	93099	93099	93099	93099	90589	90589	90097	90097	90097	90097
Gasket	6	88762	88762	88762	88762	88762	88762	88762	88762	88762	88762
Mch. Screw (4 Req'd)	7	93329	93329	93329	93329	93340	93340				
Mch. Screw (6 Req'd)	7							93329	93329	93329	93329
Lock Washer (6 Req'd)	8	10764	10764	10764	10764	17173	17173	10764	10764	10764	10764
Mch. Screw (2 Req'd)	9	93339	93339	93339	93339	93341	93341				
Dimension "A"		18 1/2"		15 3/8"		18 1/2"	25 1/16"	17 3/8"		14 1/4"	
Dimension "B"		7"		7"		10 1/2"	10 1/2"				
Dimension "C"		2 3/4"		2 3/4"		3 5/8"	3 5/8"				
Dimension "D"		7 1/16"		7 1/16"		1 1/2"	1 1/2"				
Dimension "E"		3 11/16"		3 11/16"		5 1/2"	5 1/2"				
Dimension "F"		1 3/8"		1 3/8"		1 1/16"	1 1/16"				
Dimension "G"		2 3/4"		2 3/4"		3 3/8"	3 3/8"				
Net Weight (lbs.)		7		7 1/2		12		4 1/4		6 1/2	

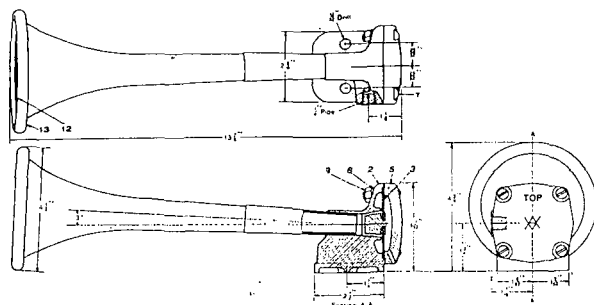
	REF. NO.	TYPE AC-1		TYPE BC-1		TYPE AC-1		TYPE AC-1	
		90150	90149	90592	90586	*90831	90131	*90830	90127
Complete Pc. No. without Screen									
Complete Pc. No. with Screen		92210	92209			*92218	92208	*92217	92207
Body with Horn	2	90132	90128	90593	90587	90835	90132	90834	90128
Diaphragm	3	93738	93743	94091	94089	93738	93738	93743	93743
Bracket	5	93099	93099	90589	90589	90097	90097	90097	90097
Gasket	6	88762	88762	88762	88762	88762	88762	88762	88762
Mch. Screw (4 Req'd)	7	93329	93329	93340	93340				
Mch. Screw (6 Req'd)	7					93329	93329	93329	93329
Lock Washer (6 Req'd)	8	10764	10764	17173	17173	10764	10764	10764	10764
Mch. Screw (2 Req'd)	9	93339	93339	93341	93341				
Dimension "A"		20"	16 3/8"	26 13/16"	20 5/16"	18 7/8"		15 1/4"	
Dimension "B"		8 9/16"	8 9/16"	13 3/8"	13 3/8"	7 1/4"		7 1/4"	
Dimension "C"		2 3/4"	2 3/4"	3 5/8"	3 5/8"				
Dimension "D"		7 1/16"	7 1/16"	1 1/2"	1 1/2"				
Dimension "E"		3 11/16"	3 11/16"	5 1/2"	5 1/2"				
Dimension "F"		1 3/8"	1 3/8"	1 1/16"	1 1/16"				
Dimension "G"		2 3/4"	2 3/4"	3 5/8"	3 5/8"				
Net Weight (lbs.)		7 1/2	7	15	14	6		5 3/4	

*NOTE A—With Chromium Plated Bell.
NOTE B—One (1) 3/8" Air Strainer Pc. 79452, Page 10, is supplied with each Pneuphonic Horn.
NOTE C—For Screen information see Notes C and D on page 3.

Prices will be quoted upon application
Orders should give PIECE NUMBER and NAME of part wanted

PNEUPHONIC HORNS

TYPE D-3

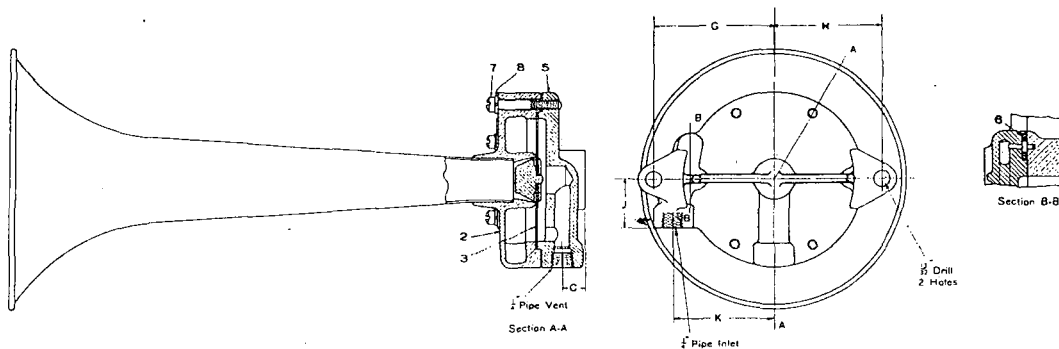


Pc. No.	Ref. No.	Description
98823		Type D-3 Pneuphonic Horn, complete
500898	2	Body with Horn
93776	3	Diaphragm
94265	5	Cover
94266	7	Rd. Hd. Meh. Screw (4 Req'd.)
10764	8	Lock Washer (4 Req'd.)
93783	9	Hex. Nut (4 Req'd.)
93771	12	Screen, complete
93772	13	Screen Retainer

Net Weight 2 7/8 lbs.

TYPES A, AC, BC and D

The Types A, AC, BC and D Pneuphonic Horns shown below are no longer standard and are listed for convenience in ordering repairs only.



	REF. No.	TYPE A	TYPE A	TYPE AC	TYPE AC	TYPE BC	TYPE BC	TYPE D	TYPE D
Complete Pc. No.		89346	89348	89350	89352	89359	89360	89355	*89356
Body with Horn	2	86667	86668	86674	86673	86628	86627	86508	86509
Diaphragm	3	93743	93738	93738	93743	94091	94089	85920	85920
Cover	5	89345	89345	89345	89345	89357	89357	89354	89354
Gasket	6	85911	85911	85911	85911	85911	85911		
Mach. Screw (6 Req'd)	7	93330	93330	93330	93330	93342	93342	93344	85947
Lock Washer (6 Req'd)	8	10764	10764	10764	10764	17173	17173	10764	85948
Dimension "A"		14 5/16"	17 3/8"	18 7/8"	15 1/4"	24 13/16"	18 1/16"	17 7/8"	17 7/8"
Dimension "B"				7 1/8"	7 1/8"	10 13/16"	10 13/16"		
Dimension "C"		1/2"	1/2"	1/2"	1/2"	3 9/16"	3 9/16"		
Dimension "G"		3"	3"	3"	3"	3 3/2"	3 3/2"		
Dimension "H"		2 11/16"	2 11/16"	2 11/16"	2 11/16"	3 13/32"	3 13/32"		
Dimension "J"		1 1/4"	1 1/4"	1 1/4"	1 1/4"	2"	2"		
Dimension "K"		2 9/16"	2 9/16"	2 9/16"	2 9/16"	2 13/16"	2 13/16"		
Net Weight (lbs.)		5 1/2	6	6 1/4	5 3/4	9 1/2	8 1/2	2 1/2	2 1/2

NOTE A—If Screens are desired for the above Horns, see Note D, page 3.
*Nickel Plated.

Prices will be quoted upon application

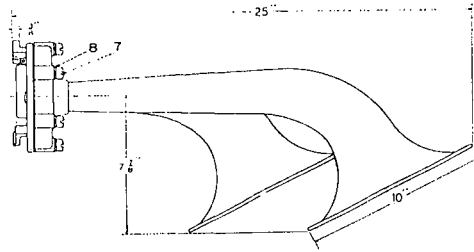
Orders should give PIECE NUMBER and NAME of part wanted

PNEUPHONIC HORNS TYPES BBC, AA and AAC

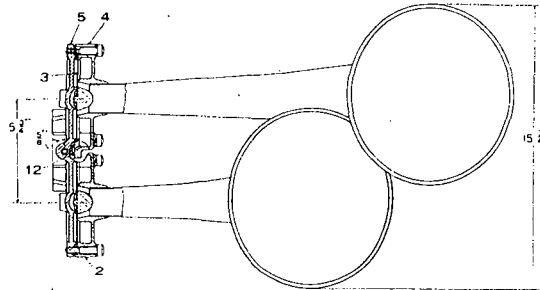
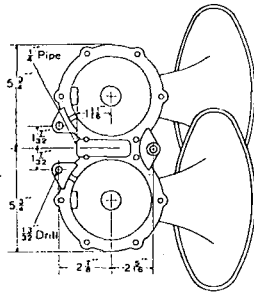
The Type BBC Pneuphonic Horn is no longer standard and is listed for convenience in ordering repairs only.

Piece No. 87702 Type BBC Pneuphonic Horn, complete

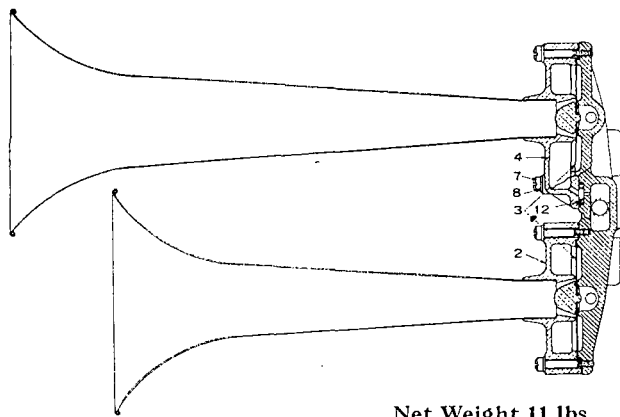
Pc. No.	Ref. No.	Description
86627	2	Body, complete (17" Horn)
94089	3	Diaphragm, for Short Bell
94091	3	Diaphragm for Long Bell
86628	4	Body, complete (23" Horn)
87695	5	Bracket
93342	7	Fil. Hd. Mch. Screw (12 Req'd)
17173	8	Lock Washer (12 Req'd)
85911	12	Gasket (2 Req'd)



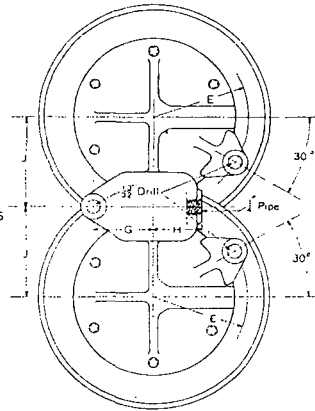
Net Weight 19 lbs.



The Types AA and AAC Pneuphonic Horns are no longer standard and are listed for convenience in ordering repairs only.



Net Weight 11 lbs.



Complete Piece Number	REF. NO.	TYPE AA	TYPE AAC
		87703	87704
Body with Short Horn	2	86667	86673
Diaphragm for Short Bell	3	93743	93743
Diaphragm for Long Bell	3	93738	93738
Body with Long Horn	4	86668	86674
Bracket	5	87696	87696
Mch. Screw (12 Req'd)	7	93330	93330
Lock Washer (12 Req'd)	8	10764	10764
Gasket (2 Req'd)	12	85911	85911
Dimension "E"		2 1/16"	2 1/16"
Dimension "G"		1 1/16"	1 1/16"
Dimension "H"		1 3/8"	1 3/8"
Dimension "J"		2 5/8"	2 5/8"

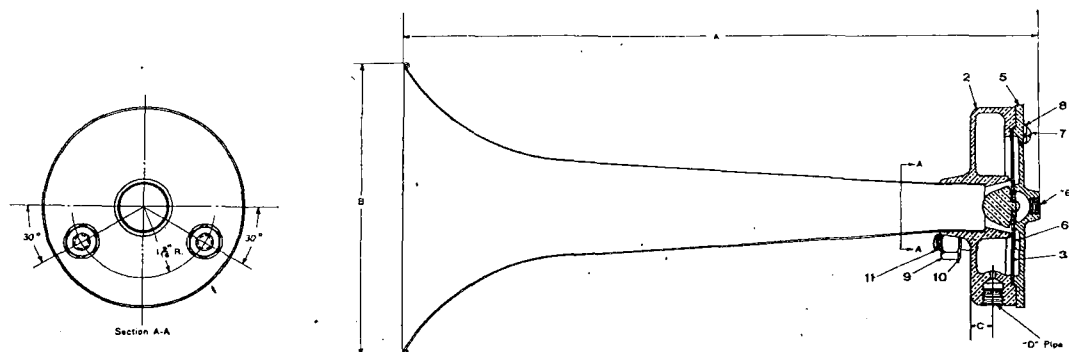
NOTE A—One (1) 3/8" Air Strainer, Pc. 79452, Page 10, is supplied with each Pneuphonic Horn.
NOTE B—If Screens are desired for the above Horns, see Note D, page 3.

Prices will be quoted upon application
Orders should give PIECE NUMBER and NAME of part wanted

PNEUPHONIC HORNS

TYPES A, AC, D, and BC

The Types A, AC, D and BC Pneuphonic Horns are no longer standard and are listed for convenience in ordering repairs only.



	REF. No.	TYPE A	TYPE A	TYPE A	TYPE AC	TYPE AC	TYPE D	TYPE D*	TYPE BC	TYPE BC
Complete Pc. No.		84086	85518	85002	85404	85474	85905	85944	87247	87242
Body with Horn	2	86503	86504	86505	86506	86507	86508	86509	87246	87243
Diaphragm	3	93743	93738	93743	93738	93743	85920	85920	94089	94091
Cover	5	84099	85519	84099	84099	84099	85924	85941	87245	87245
Gasket	6	87294	87294	87294	87294	87294	85923	85923	85912	85912
Mach. Screw (6 Req'd)	7	74955	74955	74955	74955	74955	3952	85947	24286	24286
Lock Washer (6 Req'd)	8	10764	10764	10764	10764	10764	10764	85948	17173	17173
Hex. Nut (2 Req'd)	9	2220		2220	2220	2220			2220	2220
Lock Washer (2 Req'd)	10	17173		17173	17173	17173			17173	17173
Stud (2 Req'd)	11	44418		44418	44418	44418			44418	44418
Dimension "A"		13 ⁹ / ₁₆ "	17"	16 ⁷ / ₈ "	18 ³ / ₈ "	14 ³ / ₄ "	17 ³ / ₈ "	17 ⁵ / ₈ "	17 ¹¹ / ₁₆ "	24 ³ / ₁₆ "
Dimension "B"		6 ⁵ / ₈ "	6 ⁵ / ₈ "	6 ⁵ / ₈ "	6 ¹ / ₄ "	6 ¹ / ₄ "	5 ¹ / ₁₆ "	5 ¹ / ₁₆ "	10"	10"
Dimension "C"		1 ¹ / ₂ "	1 ¹ / ₂ "	1 ¹ / ₂ "	1 ¹ / ₂ "	1 ¹ / ₂ "	1 ¹ / ₂ "	1 ¹ / ₂ "	1 ¹ / ₂ "	1 ¹ / ₂ "
Pipe Tap "D"		1 ¹ / ₄ "	1 ¹ / ₄ "	1 ¹ / ₄ "	1 ¹ / ₄ "	1 ¹ / ₄ "	1 ¹ / ₈ "	1 ¹ / ₈ "	1 ¹ / ₄ "	1 ¹ / ₄ "
Net Weight (lbs.)		4 ¹ / ₄	4 ¹ / ₄	4 ¹ / ₄	4 ¹ / ₂	4 ¹ / ₄	2 ¹ / ₂	2 ¹ / ₂	10	11 ¹ / ₂
Dimension "E"		1 ¹ / ₈ " Pipe	1 ¹ / ₈ " Pipe	1 ¹ / ₈ " Pipe	1 ¹ / ₈ " Pipe	1 ¹ / ₈ " Pipe	1 ¹ / ₈ " Drill	1 ¹ / ₈ " Drill	1 ¹ / ₄ " Drill	1 ¹ / ₄ " Drill

NOTE A—One (1) ³/₈" Air Strainer Pc. 79452, Page 10, is supplied with each Pneuphonic Horn.

*NOTE B—Nickel Plated.

NOTE C—If Screens are desired for the above Horns, see Note D, page 3.

Prices will be quoted upon application

Orders should give PIECE NUMBER and NAME of part wanted

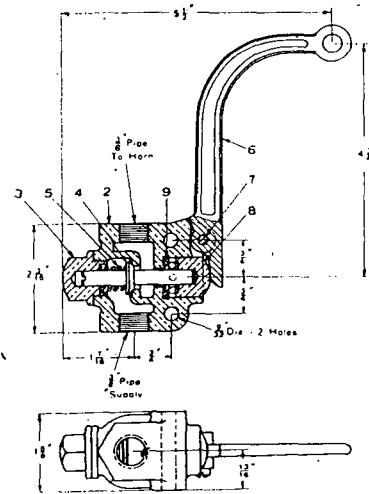
PNEUPHONIC HORNS

ACCESSORIES

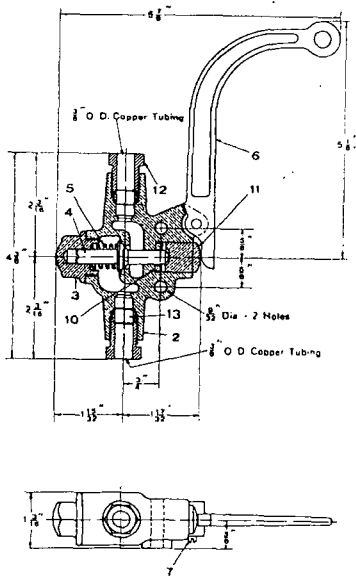
Piece No. 90391 Whistle Valve, complete, with Vent and $\frac{3}{8}$ " Iron Pipe Connections

Piece No. 90692 Whistle Valve, complete, with Vent and $\frac{3}{8}$ " Iron Pipe Connections

Pc. No.	Ref. No.	Description
90390	2	Body
3501	3	Cap Nut
90388	4	Valve
*3503	5	Spring
31406	6	Curved Handle (for Pc. 90391)
31408	6	Straight Handle (for Pc. 90692)
3504	7	Fil. Hd. Screw
90389	8	Plunger
90392	9	Gasket



Net Weight 1½ lbs.



Net Weight 1½ lbs.

Piece No. 88054 Whistle Valve, complete with Connections for $\frac{3}{8}$ " O. D. Copper Tubing

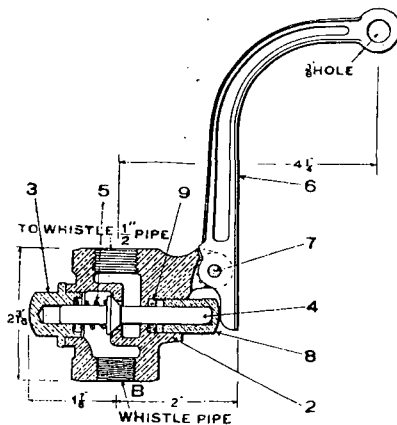
Pc. No.	Ref. No.	Description
88055	2	Body
3501	3	Cap Nut
88056	4	Valve
*3503	5	Spring
31406	6	Handle
3504	7	Fil. Hd. Screw
12554	10	Gasket
88057	11	Plunger
88058	12	Compression Nut (2 Req'd)
86828	13	Sleeve (2 Req'd)

*NOTE—For Spring Identification Table, see page 11.

Prices will be quoted upon application
 Orders should give PIECE NUMBER and NAME of part wanted

PNEUPHONIC HORNS

ACCESSORIES (Continued)



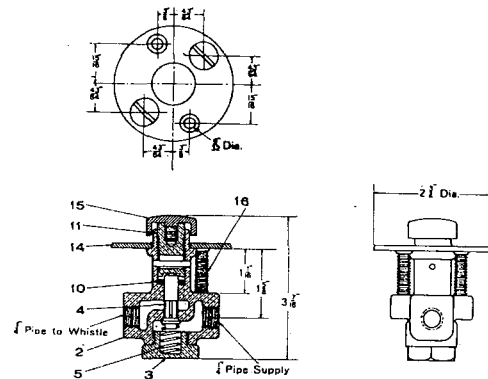
Net Weight 1 1/4 lbs.

- Piece No. 31422 1/2"x3/8" Whistle Valve, complete, with Handle
- Piece No. 31418 1/2"x1/2" Whistle Valve, complete, with Handle
- Piece No. 59322 3/8"x1/4" Whistle Valve, complete, with Handle

Pc. No.	Ref. No.	Description
30212	2	1/2"x3/8" Body (Includes 9)
30211	2	1/2"x1/2" Body (Includes 9)
3501	3	Cap Nut
3500	4	Valve
*3503	5	Spring
31406	6	Handle
3504	7	Fillister Head Screw
31415	8	Thimble
31416	9	Thimble Seat
43715		1/2"x1/4" Reducing Bushing (for Pc. 59322)

Piece No. 85776 "A" Foot Operated Whistle Valve, complete

Pc. No.	Ref. No.	Description
85777	2	Body, complete (Includes 10 and 11)
85782	3	Cap Nut
85780	4	Valve
*85781	5	Spring
12554	10	Gasket
85779	11	Plunger
85783	14	Escutcheon
85784	15	Plunger Cap
85785	16	Fil. Hd. Mach. Screw (2 Req'd)



Net Weight 2 lbs.

*Note—For Spring Identification Table, see page 11.

Prices will be quoted upon application

Orders should give PIECE NUMBER and NAME of part wanted

Westinghouse Air Brake Company

Pittsburgh, Pa., U. S. A.

WORKS AT WILMERDING, PA.

OFFICES

ATLANTA	- - - - -	Candler Building
BOSTON	- - - - -	Statler Building
CHICAGO	- - - - -	Railway Exchange Building
CLEVELAND	- - - - -	Midland Building
DENVER	- - - - -	Denver National Building
HOUSTON, TEX.	- - - - -	Commerce Building
LOS ANGELES	- - - - -	Pacific Electric Building
MEXICO CITY, MEXICO	- - - - -	3a Puente de Alvarado, No. 67
NEW YORK	- - - - -	Empire State Building
ST. LOUIS	- - - - -	Broadway and Tyler Street
ST. PAUL	- - - - -	Endicott Building
SAN FRANCISCO	- - - - -	Matson Building
SEATTLE	- - - - -	Securities Building
TOPEKA	- - - - -	Columbian Building
WASHINGTON, D. C.	- - - - -	Munsey Building



ASSOCIATED COMPANIES

WESTINGHOUSE PACIFIC COAST BRAKE
COMPANY
Emeryville, Calif.

WESTINGHOUSE BRAKE & SIGNAL
COMPANY, LTD.
Chippenham, Wilts., England

COMPAGNIA ITALIANA WESTINGHOUSE
FRENI & SEGNALI
Turin, Italy

CANADIAN WESTINGHOUSE COMPANY, LTD.
Hamilton, Ontario, Canada

COMPAGNIE DES FREINS & SIGNAUX
WESTINGHOUSE
Paris, France

THE WESTINGHOUSE BRAKE (AUSTRALASIA)
PROPRIETARY, LTD.
Concord West, New South Wales, Australia
WESTINGHOUSE BREMSSEN GESELLSCHAFT, m.b.H.
Hanover, Germany